



Agilent M9045A PCIe ExpressCard Adaptor

DISCOVER the Alternatives...

Industries and Applications

- Aerospace and defense
- Communications
- Electronics test
- Semiconductor testing

Product Description

The M9045A is a PCIe® interface card that can be used with an Agilent AXIe chassis, such as the M9502A/5A, or a PCIe cable interface, such as the M9021A.

This adaptor uses the ExpressCard 34 format typically found in laptop computers. It provides a x1 Gen 1 link and utilizes an electrically isolated x4 Molex connector (One Stop OSS-PCIE-HIB2-EC-x4).



Models

M9045A ExpressCard adaptor

Main Features and Benefits

Product features	Your benefit
M9045A ExpressCard format and low power consumption	Provides a transportable solution
Standard PCIe over cable	Allows use with any computer with PCIe ExpressCard interfaces
Transparent operation with application software	Delivers ease of installation

... Agilent **Modular** Products

Characteristics

Hardware

Card format	PCIe ExpressCard 34
Dimensions	34 mm (1.34 in) x 122.6 mm (4.83 in)
Number of PC slots	1
Data bandwidth (max)	250 MB/s
Connector	x4 PCIe cable connector
Indicator	Bi-color LED <ul style="list-style-type: none"> • Cable present: green • Power only: red
Cable length	Up to a 7-meter passive cable supported

For more complete specifications and manuals, visit the OSS Web site: <http://www.onestopsystems.com/>



Agilent Technologies



Figure 1. M9045A and Y1200A

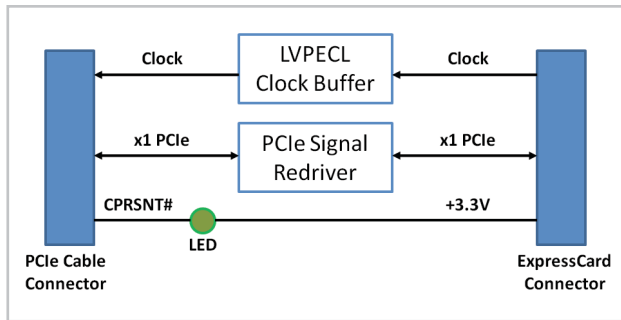


Figure 2. M9045A diagram

PCIe® is a registered U.S. trademark and/or service mark of PCI-SIG.

Typical Product Configuration

Model	Description
M9045A	PCIe ExpressCard adaptor: Gen 1
Y1200A	PCIe cable

Ordering Information

Model	Description
M9045A	PCIe ExpressCard adaptor: Gen 1

Related Products

M9021A	PCIe cable interface: Gen 2, x8
M9502A	2-slot AXIe chassis
M9505A	5-slot AXIe chassis

Accessories

Y1200A	PCIe cable: x4 to x8, 2.0m (used with M9045A)
--------	---

Discover Agilent ...



www.agilent.com

www.agilent.com/find/modular

www.agilent.com/find/pxi-chassis

USA: (800) 829-4444

For more information on Agilent Technologies' products, applications, or services, please contact your local Agilent office. The complete list is available at: www.agilent.com/find/contactus

Product specifications and descriptions in this document subject to change without notice.

© Agilent Technologies, Inc. 2011 Printed in USA, March 21, 2011
5990-6360EN



Agilent Technologies